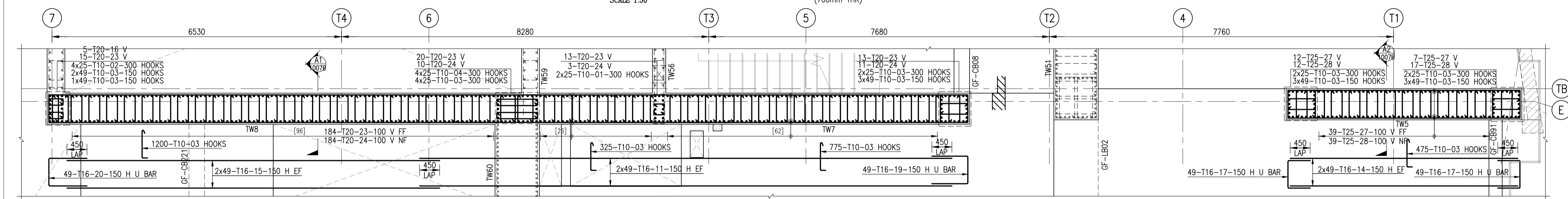
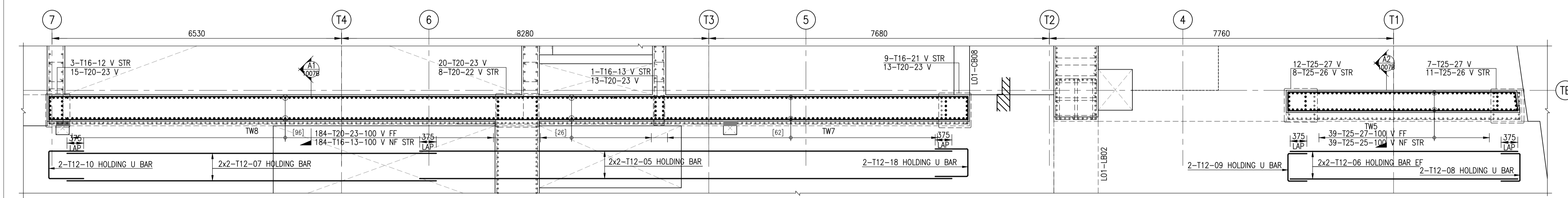


PLAN FOR TOWER WALL-TW8,TW7&TW5
SCALE 1:50
(700mm THK)



PLAN FOR TOWER WALL-TW8,TW7&TW5 @ GROUND FLOOR DROP OFF
SCALE 1:50
(700mm THK)

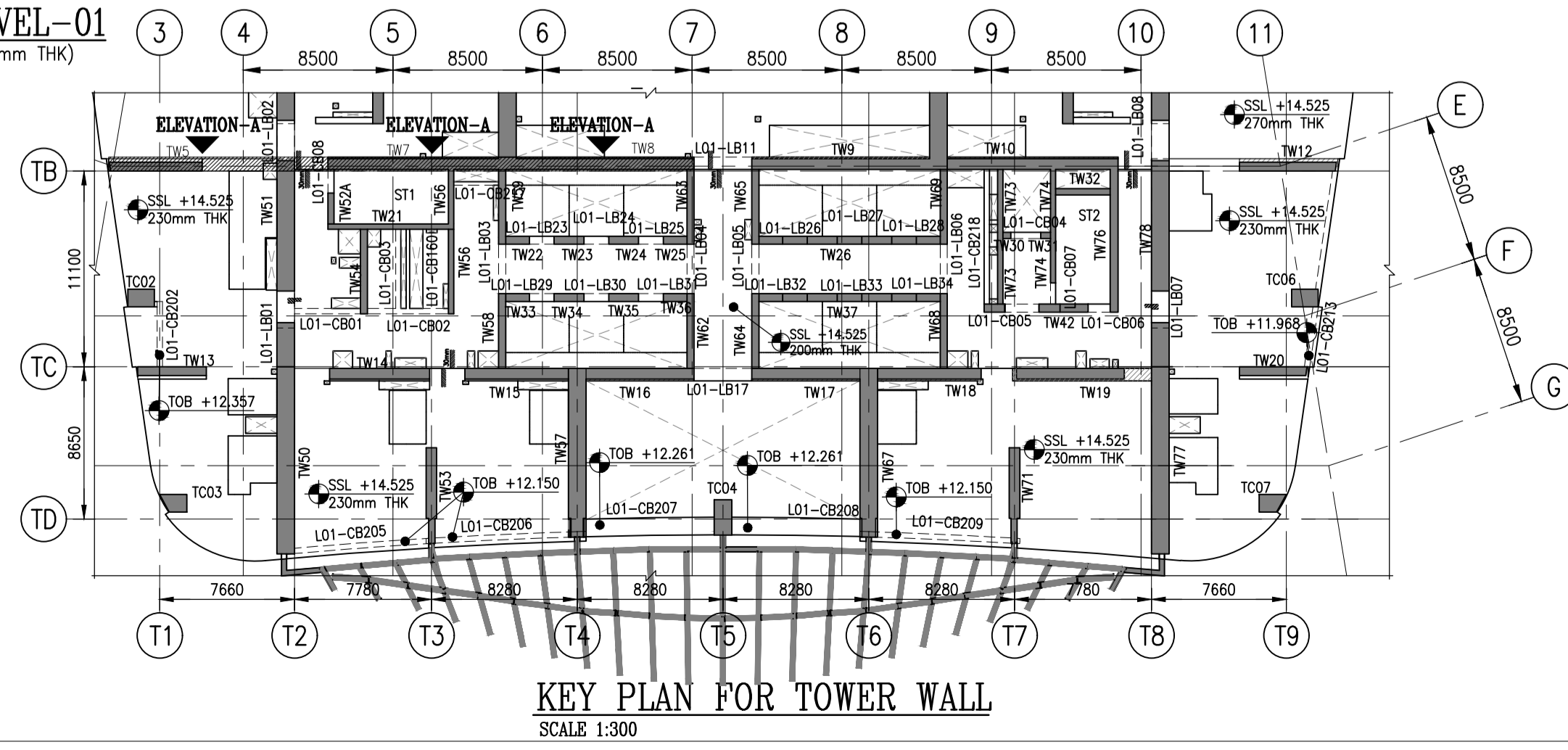


PLAN FOR TOWER WALL-TW8,TW7&TW5 @ LEVEL-01
SCALE 1:50
(700mm THK)

GROUND FLOOR TO LEVEL-01 PODIUM TOWER WALL REINF. DETAILS
REFER DWG NO: B4-CSC-S-RC-SDS-GF-1000-1016

BAR SIZE	TOP BARS		OTHERS		MINIMUM STANDARD HOOK
	Ld	LAP	Ld	LAP	
10	00	00	310	310	120
12	00	00	375	375	145
16	00	00	500	500	195
20	00	00	760	760	240
25	00	00	950	950	300
32	00	00	1220	1220	385
40	00	00	1520	1520	480

BAR SIZE	TOP BARS		OTHERS		MINIMUM STANDARD HOOK
	Ld	LAP	Ld	LAP	
10	365	365	280	280	120
12	440	440	340	340	145
16	585	585	450	450	195
20	885	885	680	680	240
25	1105	1105	850	850	300
32	1415	1415	1090	1090	385
40	1770	1770	1360	1360	480



KEY PLAN FOR TOWER WALL
SCALE 1:300

KEY PLAN:

GENERAL NOTES:

- ALL DIMENSIONS ARE IN MILLIMETERS
- ALL LEVELS ARE IN METERS
- CONCRETE GRADE $f_c' = C75/90$
- REINFORCEMENT GRADE $f_y = 500MPa$
- LAP LENGTH = AS PER TABLE
- CONCRETE COVER TO TOWER WALL REINFORCEMENT COVER = 40mm

REINFORCEMENT IS NOTED:

ABBREVIATIONS:-

T1 - TOP FIRST LAYER	OF - OUTER FACE
T2 - TOP SECOND LAYER	IF - INNER FACE
B1 - BOTTOM FIRST LAYER	EF - EACH FACE
B2 - BOTTOM SECOND LAYER	TYP - TYPICAL
S.S.L - STRUCTURAL SLAB LEVEL	SF - SIDE FACE
Ld - DEVELOPMENT LENGTH	V - VERTICAL
CJ - CONSTRUCTION JOINT	H - HORIZONTAL
ALT - ALTERNATE BARS	PB - PULLOUT BAR
STG - STAGGERED BARS	CB - COUPLER BAR
CB - COUPLER BAR	ADDL - ADDITIONAL

S.NO.	DRAWING NO.	REV.	DRAWING TITLE	REFERENCES
10				
9	B4-CSC-S-GA-SDS-BI-02998	00	WALL ELEVATIONS BASEMENT-01 TO GFD DPH	
8	B04-VSP-ZZ-DR-ST-31020	01	WALL ELEVATIONS SHEET-01	
7	B04-VSP-01-DR-ST-14601	02	LEVEL-01 GA PART PLAN SHEET-1	
6	B04-VSP-GF-DR-ST-14501	02	GROUND FLOOR GA PART PLAN SHEET-1	
5	B04-VSP-GF-DR-ST-14401	02	GF DFF GA PART PLAN SHEET-1	
4	B04-VSP-ZZ-DR-ST-51007	02	WALL SCHEDULE SHEET-02	
3	B04-VSP-ZZ-DR-ST-51006	02	WALL SCHEDULE SHEET-01	
2	B04-VSP-ZZ-DR-ST-00011	01	STANDARD DETAILS SHEET-B	
1	B04-VSP-ZZ-DR-ST-00003	02	STRUCTURAL CONCRETE NOTES	

REV.	DESCRIPTION	DATE	DRWN.	CHKD.
00	ISSUED FOR APPROVAL	28-12-19	ANI	BMW

DESIGN ARCHITECT

PROJECT

CLIENT

LEAD CONSULTANT

MAIN CONTRACTOR

DRAWING

GF DROP OFF TO LEVEL-01 (ZONE-A) TOWER WALL REINFORCEMENT DETAILS SHEET 01 OF 20

DRAWN BY	CHECKED BY	DATE
ANI	BMW	24/12/2019

SCALE (@ A1) AS SHOWN PROJECT NUMBER 37446683

DRAWING NUMBER	REV.
B4-CSC-S-RC-SDS-GF-1000	00